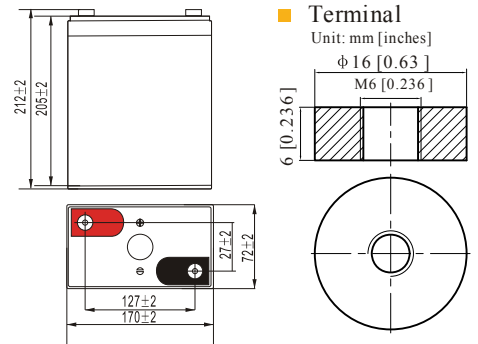


Specification

Nominal Voltage	2V	
Nominal Capacity(10hrs rate)	150.0AH	
Dimension	Length	170±2mm(6.69 inches)
	Width	98±2mm(3.86 inches)
	Container Height	205±2mm(8.07 inches)
	Total Height (with Terminal)	212±2mm(8.35 inches)
Approx Weight	Approx 8.5 Kg (18.7 lbs)	
Design Float Life	20 years at 25°C(77°F)	
Container Material	ABS	
Rated Capacity	160.5 AH/8.03A	(20hr, 1.80V/cell, 25°C/77°F)
	150.0 AH/15.0A	(10hr, 1.80V/cell, 25°C/77°F)
	130.5AH/26.2A	(5hr, 1.75V/cell, 25°C/77°F)
	117.0AH/39.0A	(3hr, 1.75V/cell, 25°C/77°F)
	93.0 AH/93.0A	(1hr, 1.60V/cell, 25°C/77°F)
Max. Discharge Current	1200A (5s)	
Internal Resistance	Approx 1.1mΩ	
Operating Temp. Range	Discharge :	-15~50°C (5~120°F)
	Charge :	0~40°C (5~104°F)
	Storage :	-15~40°C (5~104°F)
Nominal Operating Temp. Range	25±3°C (77±5°F)	
Cycle Use	Initial Charging Current less than 45.0A. Voltage	
	2.4V~2.5V at 25°C(77°F)Temp. Coefficient -5mV/°C	
Standby Use	No limit on Initial Charging Current Voltage	
	2.25V~2.3V at 25°C(77°F)Temp. Coefficient -3mV/°C	
Capacity affected by Temperature	40°C (104°F)	103%
	25°C (77°F)	100%
	0°C (32°F)	86%
Self Discharge	≤1.5% per month	
	RUZET TPG series batteries may be stored for up to 6 months at 25°C(77°F) and then a freshening charge is required.	



Applications

- UPS and EPS
- Emergency light
- Railway signal and aircraft signal system
- Marine and power stations Alarm and security system
- Electronic apparatus and equipment
- Communication power supply, DC power supply

Constant Current Discharge (Amperes) at 25°C (77°F)

F.V/Time	10 min	15 min	20 min	30 min	45 min	1h	2h	3h	4h	5h	6h	8h	10h	20h
1.85V/cell	175.5	147.6	131.0	108.6	83.8	71.7	46.4	34.9	28.6	24.1	21.1	16.9	14.5	7.76
1.80V/cell	200.8	165.7	144.8	118.0	90.4	75.7	49.9	37.5	30.4	25.5	22.3	17.8	15.0	8.03
1.75V/cell	228.1	186.8	160.0	128.2	98.6	82.5	51.9	39.0	31.4	26.1	23.0	18.4	15.4	8.23
1.70V/cell	257.6	207.3	176.6	139.9	106.2	87.3	54.7	41.1	32.9	27.6	24.1	19.2	16.0	8.44
1.65V/cell	276.6	221.9	187.9	147.7	112.4	90.3	56.7	42.7	34.1	28.5	25.0	19.8	16.4	8.70
1.60V/cell	304.3	243.0	204.1	157.6	116.8	93.0	58.1	43.8	34.9	29.2	25.5	20.2	16.8	8.84

Constant Power Discharge (Watts) at 25°C (77°F)

F.V/Time	10 min	15 min	20 min	30 min	45 min	1h	2h	3h	4h	5h	6h	8h	10h	20h
1.85V/cell	312.10	265.14	237.62	199.24	155.05	133.05	86.76	65.43	53.81	45.33	39.90	32.10	27.71	14.76
1.80V/cell	352.95	293.71	258.86	213.05	165.90	139.71	92.67	69.90	56.86	47.90	42.10	33.71	28.48	15.24
1.75V/cell	394.48	327.05	283.33	229.62	179.24	151.62	96.00	72.48	58.67	48.86	43.24	34.76	29.24	15.62
1.70V/cell	435.62	357.81	310.48	249.33	192.38	159.90	100.86	76.10	61.14	51.52	45.24	36.19	30.38	16.00
1.65V/cell	463.52	380.19	327.81	261.05	201.81	164.29	104.00	78.86	63.33	53.05	46.67	37.33	31.14	16.48
1.60V/cell	498.48	409.62	352.29	276.57	208.57	168.29	106.10	80.48	64.57	54.10	47.52	37.90	31.71	16.76