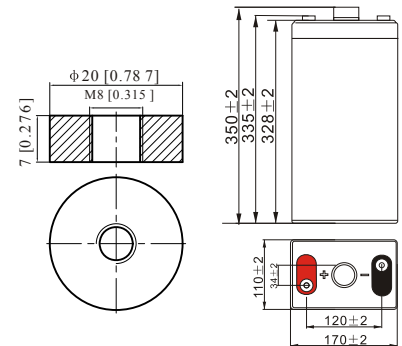


## Specification

|                                  |   |                               |
|----------------------------------|---|-------------------------------|
| Nominal Voltage                  | 2V  |                               |
| Nominal Capacity(10hrs rate)     | 200.0AH   |                               |
| Dimension                        | Length  | 170 ± 2mm(6.69 inches)        |
|                                  | Width   | 110 ± 2mm(4.33 inches)        |
|                                  | Container Height  | 328 ± 2mm(12.91 inches)       |
|                                  | Total Height (with Terminal)  | 350 ± 2mm(13.78 inches)       |
| Approx Weight                    | Approx 14.5Kg (32.0lbs)   |                               |
| Design Float Life                | 20 years at 25°C(77°F)  |                               |
| Container Material               | ABS   |                               |
| Rated Capacity                   | 214.0AH/10.7A   | (20hr, 1.80V/cell, 25°C/77°F) |
|                                  | 200.0AH/20.0A   | (10hr, 1.80V/cell, 25°C/77°F) |
|                                  | 174.0AH/34.8A   | ( 5hr, 1.75V/cell, 25°C/77°F) |
|                                  | 156.0AH/52.0A   | ( 3hr, 1.75V/cell, 25°C/77°F) |
|                                  | 124.0AH/12.0A   | ( 1hr, 1.60V/cell, 25°C/77°F) |
| Max. Discharge Current           | 1600A (5s)  |                               |
| Internal Resistance              | Approx 1.0mΩ  |                               |
| Operating Temp. Range            | Discharge :   | -15~50°C (5~120°F)            |
|                                  | Charge :  | 0~40°C (5~104°F)              |
|                                  | Storage :   | -15~40°C (5~104°F)            |
| Nominal Operating Temp. Range    | 25 ± 3°C (77 ± 5°F)   |                               |
| Cycle Use                        | Initial Charging Current less than 60.0A. Voltage   |                               |
|                                  | 2.4V~2.5V at 25°C(77°F)Temp. Coefficient -5mV/°C  |                               |
| Standby Use                      | No limit on Initial Charging Current Voltage  |                               |
|                                  | 2.25V~2.3V at 25°C(77°F)Temp. Coefficient -3mV/°C   |                               |
| Capacity affected by Temperature | 40°C (104°F)  | 103%                          |
|                                  | 25°C ( 77°F)  | 100%                          |
|                                  | 0°C ( 32°F)   | 86%                           |
| Self Discharge                   | ≤1.5% per month   |                               |
|                                  | RUZET TPG series batteries may be stored for up to 6 months at 25°C(77°F) and then a freshening charge is required. |                               |



## Applications

- UPS and EPS
- Emergency light
- Railway signal and aircraft signal system
- Marine and power stations Alarm and security system
- Electronic apparatus and equipment
- Communication power supply, DC power supply

### Constant Current Discharge (Amperes) at 25°C (77°F)

| F.V/Time   | 10 min | 15 min | 20 min | 30 min | 45 min | 1h    | 2h   | 3h   | 4h   | 5h   | 6h   | 8h   | 10h  | 20h  |
|------------|--------|--------|--------|--------|--------|-------|------|------|------|------|------|------|------|------|
| 1.85V/cell | 234.0  | 196.8  | 174.6  | 144.8  | 111.7  | 95.6  | 61.9 | 46.5 | 38.1 | 32.1 | 28.1 | 22.5 | 19.4 | 10.3 |
| 1.80V/cell | 267.8  | 221.0  | 193.0  | 157.3  | 120.5  | 100.9 | 66.5 | 50.0 | 40.5 | 34.0 | 29.8 | 23.7 | 20.0 | 10.7 |
| 1.75V/cell | 304.1  | 249.1  | 213.3  | 170.9  | 131.5  | 110.0 | 69.2 | 52.0 | 41.9 | 34.8 | 30.7 | 24.5 | 20.5 | 11.0 |
| 1.70V/cell | 343.5  | 276.3  | 235.5  | 186.6  | 141.6  | 116.4 | 72.9 | 54.7 | 43.8 | 36.8 | 32.2 | 25.6 | 21.3 | 11.3 |
| 1.65V/cell | 368.8  | 295.9  | 250.5  | 196.9  | 149.9  | 120.4 | 75.6 | 56.9 | 45.5 | 38.0 | 33.3 | 26.4 | 21.9 | 11.6 |
| 1.60V/cell | 405.8  | 324.1  | 272.1  | 210.1  | 155.7  | 124.0 | 77.5 | 58.4 | 46.5 | 38.9 | 34.0 | 26.9 | 22.4 | 11.8 |

### Constant Power Discharge (Watts) at 25°C (77°F)

| F.V/Time   | 10 min | 15 min | 20 min | 30 min | 45 min | 1h     | 2h     | 3h     | 4h    | 5h    | 6h    | 8h    | 10h   | 20h   |
|------------|--------|--------|--------|--------|--------|--------|--------|--------|-------|-------|-------|-------|-------|-------|
| 1.85V/cell | 416.10 | 353.52 | 316.76 | 265.62 | 206.67 | 177.43 | 115.62 | 87.33  | 71.71 | 60.48 | 53.14 | 42.86 | 36.86 | 19.71 |
| 1.80V/cell | 470.57 | 391.62 | 345.14 | 284.10 | 221.24 | 186.29 | 123.52 | 93.24  | 75.81 | 63.81 | 56.10 | 44.95 | 38.00 | 20.38 |
| 1.75V/cell | 526.00 | 436.10 | 377.81 | 306.19 | 239.05 | 202.19 | 128.00 | 96.57  | 78.19 | 65.14 | 57.71 | 46.29 | 38.95 | 20.86 |
| 1.70V/cell | 580.76 | 477.14 | 413.90 | 332.48 | 256.48 | 213.24 | 134.57 | 101.52 | 81.52 | 68.76 | 60.38 | 48.19 | 40.48 | 21.33 |
| 1.65V/cell | 618.00 | 506.95 | 437.05 | 348.00 | 269.05 | 219.05 | 138.67 | 105.14 | 84.38 | 70.67 | 62.29 | 49.71 | 41.52 | 22.00 |
| 1.60V/cell | 664.57 | 546.19 | 469.71 | 368.76 | 278.10 | 224.38 | 141.52 | 107.33 | 86.00 | 72.19 | 63.33 | 50.48 | 42.29 | 22.29 |