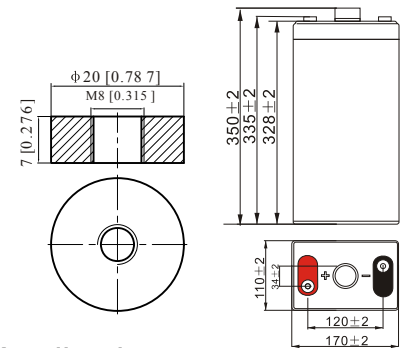


Specification

Nominal Voltage	2V	
Nominal Capacity(10hrs rate)	250.0AH	
Dimension	Length	170±2mm(6.69 inches)
	Width	110±2mm(4.33 inches)
	Container Height	328±2mm(12.91 inches)
	Total Height (with Terminal)	350±2mm(13.78 inches)
Approx Weight	Approx 14.5Kg (32.0lbs)	
Design Float Life	20 years at 25°C(77°F)	
Container Material	ABS	
Rated Capacity	267.5AH/13.4A	(20hr, 1.80V/cell, 25°C/77°F)
	250.0AH/25.0A	(10hr, 1.80V/cell, 25°C/77°F)
	217.5AH/43.5A	(5hr, 1.75V/cell, 25°C/77°F)
	195.0AH/65.0A	(3hr, 1.75V/cell, 25°C/77°F)
	155.0AH/155.0A	(1hr, 1.60V/cell, 25°C/77°F)
Max. Discharge Current	2000A (5s)	
Internal Resistance	Approx 1.0mΩ	
Operating Temp.Range	Discharge :	-15~50°C (5~120°F)
	Charge :	0~40°C (5~104°F)
	Storage :	-15~40°C (5~104°F)
Nominal Operating Temp. Range	25±3°C (77±5°F)	
Cycle Use	Initial Charging Current less than 75.0A.Voltage	
	2.4V~2.5V at 25°C(77°F)Temp. Coefficient -5mV/°C	
Standby Use	No limit on Initial Charging Current Voltage	
	2.25V~2.3V at 25°C(77°F)Temp. Coefficient -3mV/°C	
Capacity affected by Temperature	40°C (104°F)	103%
	25°C (77°F)	100%
	0°C (32°F)	86%
Self Discharge	≤1.5% per month	
	RUZET TPG series batteries may be stored for up to 6 months at 25°C(77°F) and then a freshening charge is required.	



Applications

- UPS and EPS
- Emergency light
- Railway signal and aircraft signal system
- Marine and power stations Alarm and security system
- Electronic apparatus and equipment
- Communication power supply, DC power supply

Constant Current Discharge (Amperes) at 25°C (77°F)

F.V/Time	10 min	15 min	20 min	30 min	45 min	1h	2h	3h	4h	5h	6h	8h	10h	20h
1.85V/cell	292.5	246.0	218.3	181.0	139.7	119.5	77.4	58.2	47.7	40.1	35.1	28.2	24.2	12.9
1.80V/cell	334.7	276.2	241.3	196.6	150.7	126.1	83.2	62.5	50.7	42.5	37.2	29.7	25.0	13.4
1.75V/cell	380.1	311.3	266.7	213.6	164.3	137.5	86.5	65.0	52.4	43.5	38.4	30.7	25.7	13.7
1.70V/cell	429.3	345.4	294.3	233.2	177.0	145.5	91.1	68.4	54.8	46.0	40.2	31.9	26.7	14.1
1.65V/cell	461.0	369.8	313.1	246.1	187.3	150.5	94.5	71.2	56.9	47.5	41.6	33.0	27.4	14.5
1.60V/cell	\	405.1	340.2	262.6	194.7	155.0	96.9	73.0	58.2	48.6	42.5	33.6	28.0	14.7

Constant Power Discharge (Watts) at 25°C (77°F)

F.V/Time	10 min	15 min	20 min	30 min	45 min	1h	2h	3h	4h	5h	6h	8h	10h	20h
1.85V/cell	520.19	441.90	396.00	332.00	258.38	221.81	144.57	109.14	89.62	75.62	66.48	53.52	46.10	24.67
1.80V/cell	588.29	489.62	431.43	355.14	276.57	232.86	154.38	116.57	94.76	79.81	70.10	56.19	47.52	25.43
1.75V/cell	657.52	545.05	472.29	382.76	298.76	252.67	160.00	120.76	97.71	81.43	72.10	57.90	48.76	26.10
1.70V/cell	726.00	596.38	517.43	415.62	320.67	266.57	168.19	126.86	101.90	85.90	75.43	60.29	50.57	26.67
1.65V/cell	772.57	633.71	546.38	435.05	336.29	273.81	173.33	131.43	105.52	88.38	77.81	62.19	51.90	27.52
1.60V/cell	\	682.76	587.14	460.95	347.62	280.48	176.86	134.19	107.52	90.19	79.24	63.14	52.95	27.90